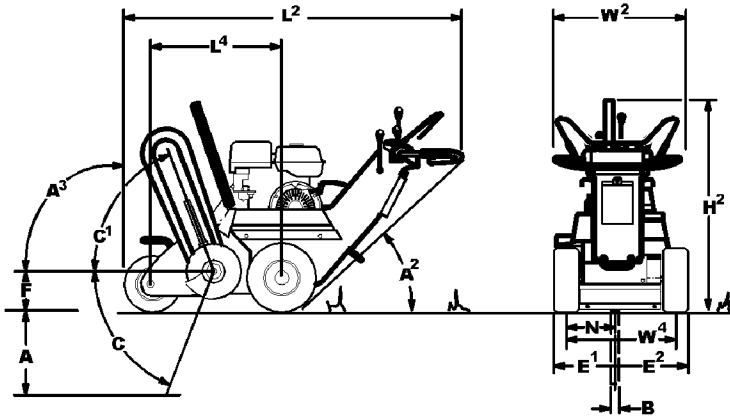


1230



DIMENSIONS		U.S.	METRIC
A	Trench depth, maximum	36 in	915 mm
B	Trench width	4.3-6 in	110-150 mm
C	Boom travel down	60°	60°
C ¹	Boom travel up	47°	47°
F	Headshaft height--digging chain	8.60 in	220 mm
L ²	Length	88 in	2.2 m
W ²	Width	32 in	810 mm
H ²	Height	47 in	1.2 m
W ⁴	Tread	26 in	660 mm
A ³	Angle of departure	65°	65°
L ⁴	Wheelbase	32 in	810 mm
E ¹	Centerline trench to outside edge of machine, left	15 in	381 mm
E ²	Centerline trench to outside edge of machine, right	17 in	432 mm
N	Spoil discharge reach	10.6 in	270 mm